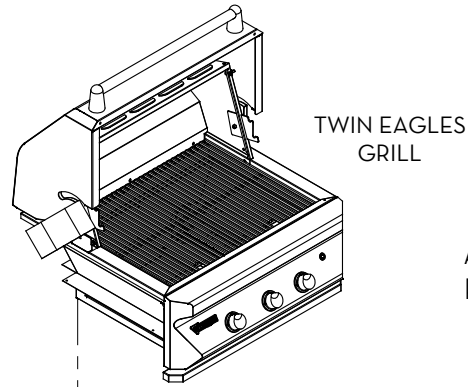
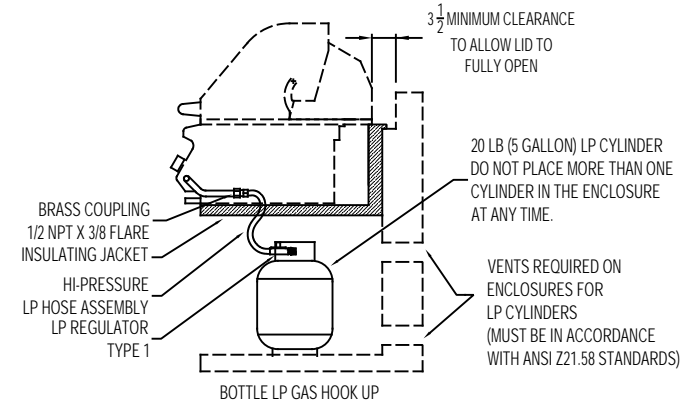
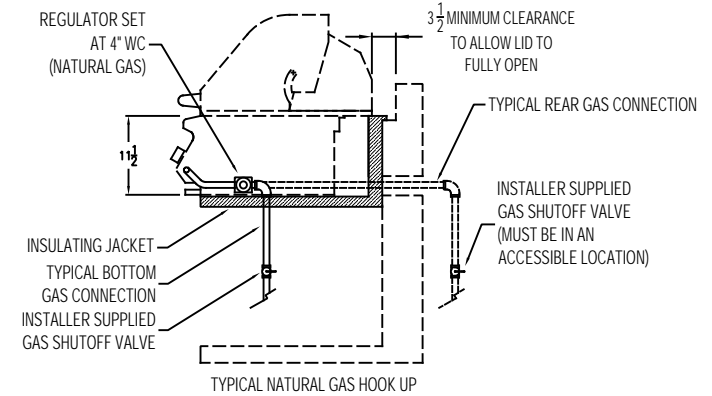
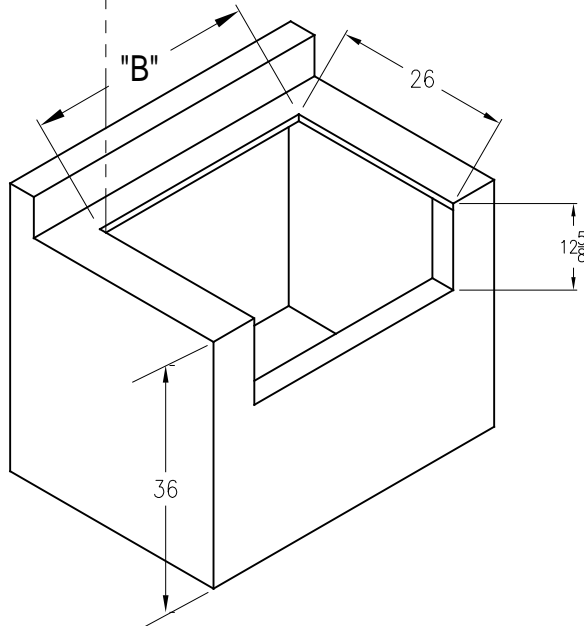
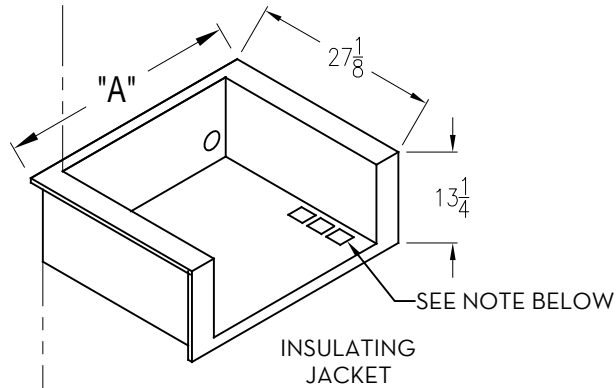
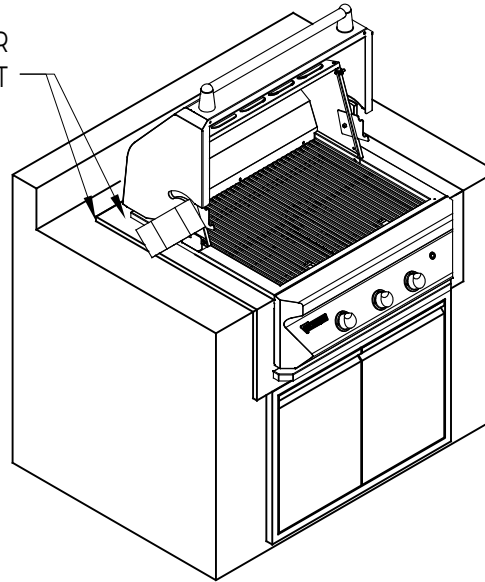


TWIN EAGLES INSULATING JACKET INSTALLATION INSTRUCTION



APPLY WEATHER PROOF SEALANT



INSULATING JACKETS

MODEL	"A"	"B"
TEIJ30	34 3/4	33 1/2
TEIJ36	40 3/4	39 1/2
TEIJ42	46 3/4	45 1/2
TEIJ54	58 3/4	57 1/2

* When Installing, use front right knockout to keep power cord cool. If using LP gas cylinder and insulating jacket (TEIJ), use stainless flexible hose to connect LP gas cylinder to grill Regulator.

⚠ AVERTISSEMENT - PROPOSITION 65

WARNING POUR LES RESIDENTS DE LA CALIFORNIE
Cancer et Troubles de l'appareil reproducteur -
www.P65Warnings.ca.gov

⚠ WARNING - PROPOSITION 65

WARNING FOR CALIFORNIA RESIDENTS
Cancer and Reproductive Harm -
www.P65Warnings.ca.gov