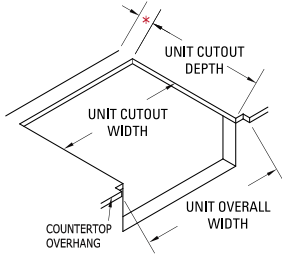


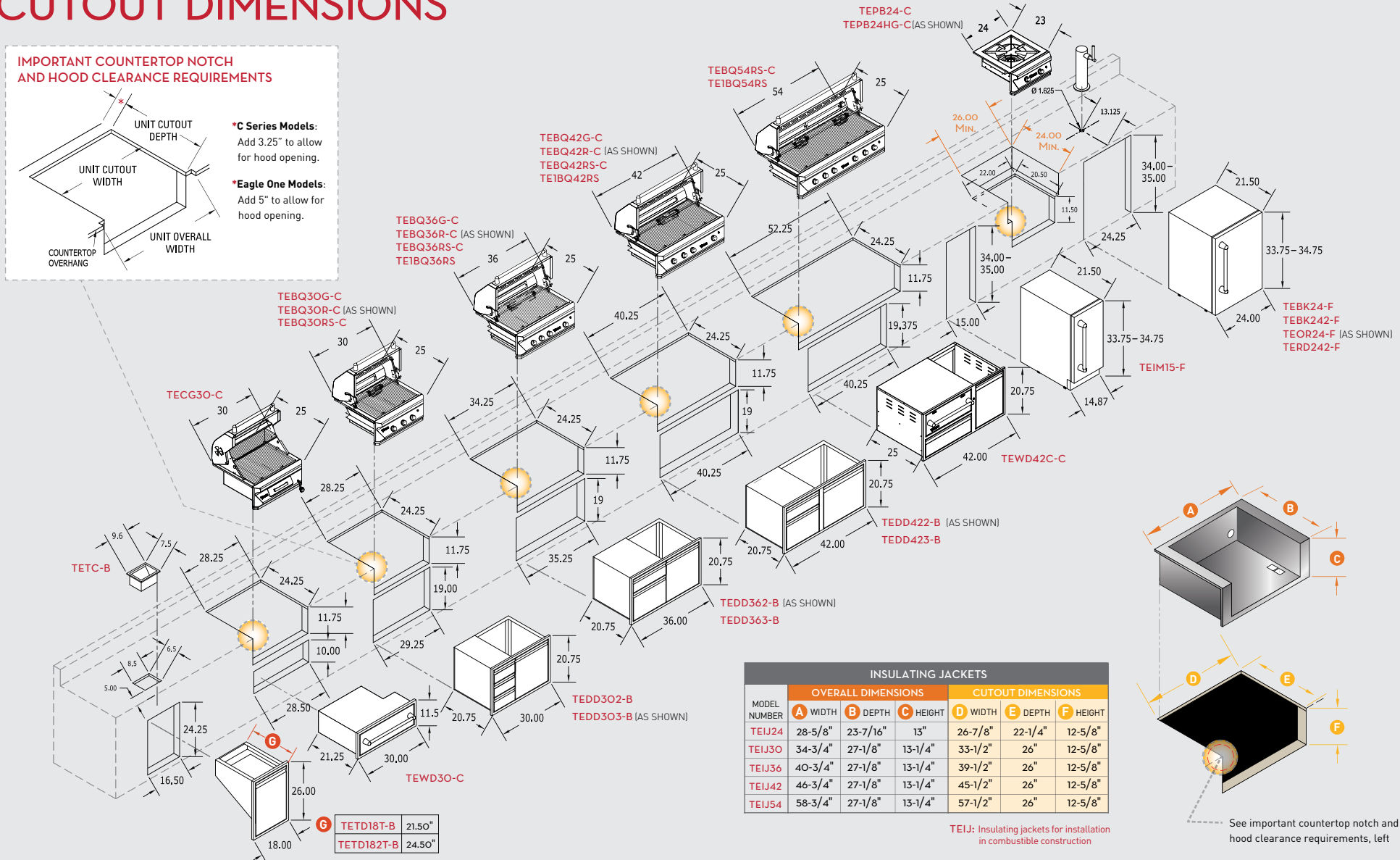
# CUTOUT DIMENSIONS

## IMPORTANT COUNTERTOP NOTCH AND HOOD CLEARANCE REQUIREMENTS



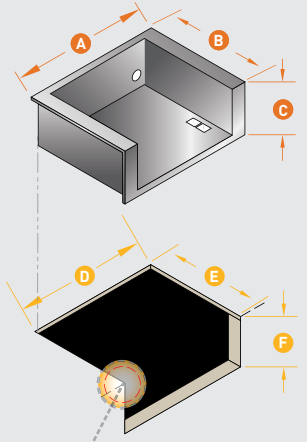
**\*C Series Models:**  
Add 3.25" to allow for hood opening.

**\*Eagle One Models:**  
Add 5" to allow for hood opening.



MODEL NUMBER	OVERALL DIMENSIONS			CUTOUT DIMENSIONS		
	A WIDTH	B DEPTH	C HEIGHT	D WIDTH	E DEPTH	F HEIGHT
TEIJ24	28-5/8"	23-7/16"	13"	26-7/8"	22-1/4"	12-5/8"
TEIJ30	34-3/4"	27-1/8"	13-1/4"	33-1/2"	26"	12-5/8"
TEIJ36	40-3/4"	27-1/8"	13-1/4"	39-1/2"	26"	12-5/8"
TEIJ42	46-3/4"	27-1/8"	13-1/4"	45-1/2"	26"	12-5/8"
TEIJ54	58-3/4"	27-1/8"	13-1/4"	57-1/2"	26"	12-5/8"

TEIJ: Insulating jackets for installation in combustible construction



See important countertop notch and hood clearance requirements, left

