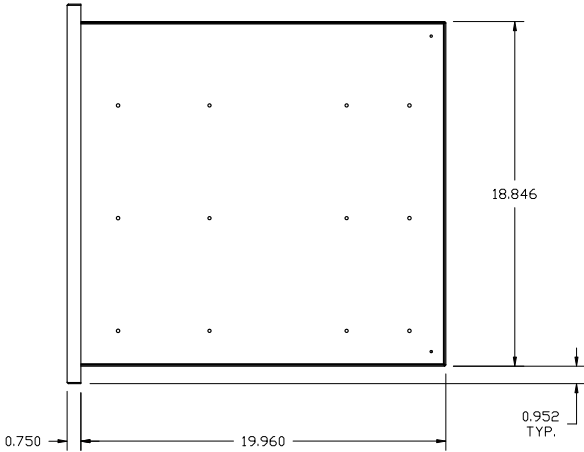
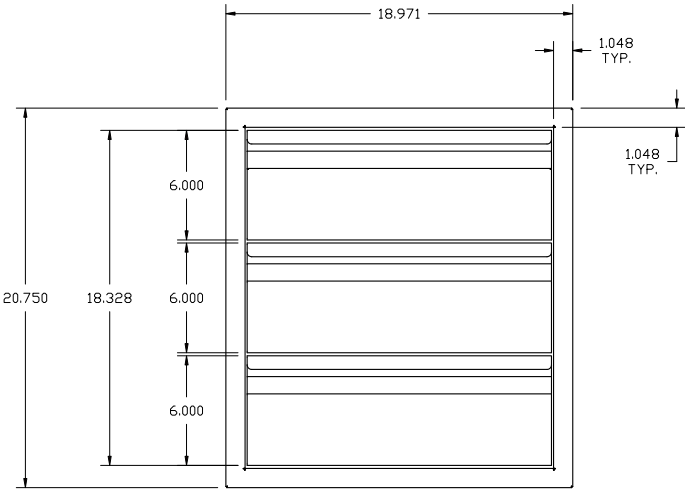
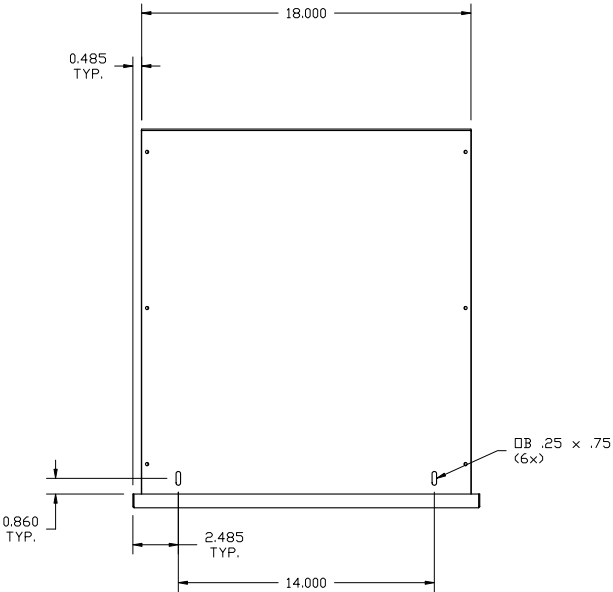


TESD193-B: 19" TWIN EAGLES TRIPLE STORAGE DRAWER



LAST UPDATE: 02/13