

## OUTDOOR / INDOOR WALL-MOUNT INFRARED HEATER

Powerful heat combined with convenience. The Dimplex Outdoor/Indoor Wall-mount Plug-in Infrared Heater is perfect for warming and enhancing entertaining spaces with its sleek, stylish Schott Nextrema® ceramic tinted glass that is complimentary to modern design. This is infrared heat at its finest; keep family, friends, guests, or patrons comfortable with sun-like warmth in a matter of seconds. Mount, plug-in, and heat – installation made easy.

### BENEFITS

- Nextrema® Schott glass ensures even heat distribution and minimizes light emissions
- Corrosion resistant anodized aluminum and 304 stainless steel makes this product suitable for all climates
- 3 temperature settings - 600W (low), 1050W (med), 1500W (high) for maximum comfort
- 6 second maximum heat up time
- Programmable timer 1- 13 hour operation and remote control for ease of operation
- On-screen display shows temperature setting and timer function at a glance
- 120V plug-in, 1500W wall-mount heater (not suitable for ceiling mount)
- Each heater comes with the element pre-installed, which eases installation and reduces the risk of damaged, broken or misplaced elements upon delivery
- Innovative design ensures a safe, easy and space-saving installation
- Weather-proof construction. Meets IP65 rating

### APPLICATIONS

Patios | Balconies | Outdoor Living Spaces | Sunroom | Gazebos | Common Areas

### SPECIFICATIONS

Voltage	120V
Wattage	1500
Color	Black
Finish	Nextrema™ Schott® Ceramic tinted glass
Heating Element	Ruby halogen heating element(s)
Construction	Stainless Steel (304)
Controls & Wiring	Plug-in. Unit has an auto stand-by feature after 8 hours of operation
Installation	Wall-mount bracket included
Warranty	1-year replacement parts

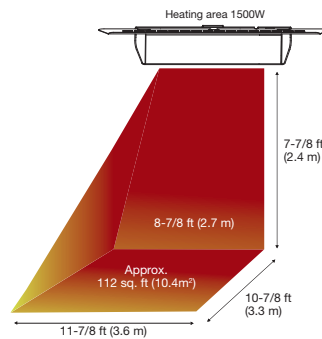
### ORDERING GUIDE

Cat. No.	Installation	Watts	Volts	Weight (kg/lbs.)
DIRP15A10GR	Wall-mounting only	1500	120	3.2 / 7

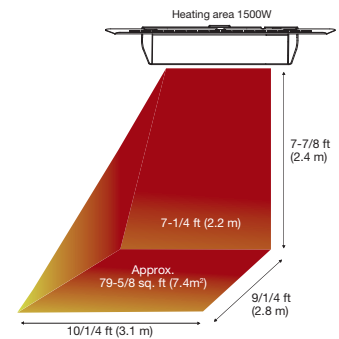


7.7 ft. (2.3 m) cord with grounded plug, standard 120V outlet

Indoor heating area: wall-mounted



Outdoor heating area: wall-mounted



### DIMENSIONS

