

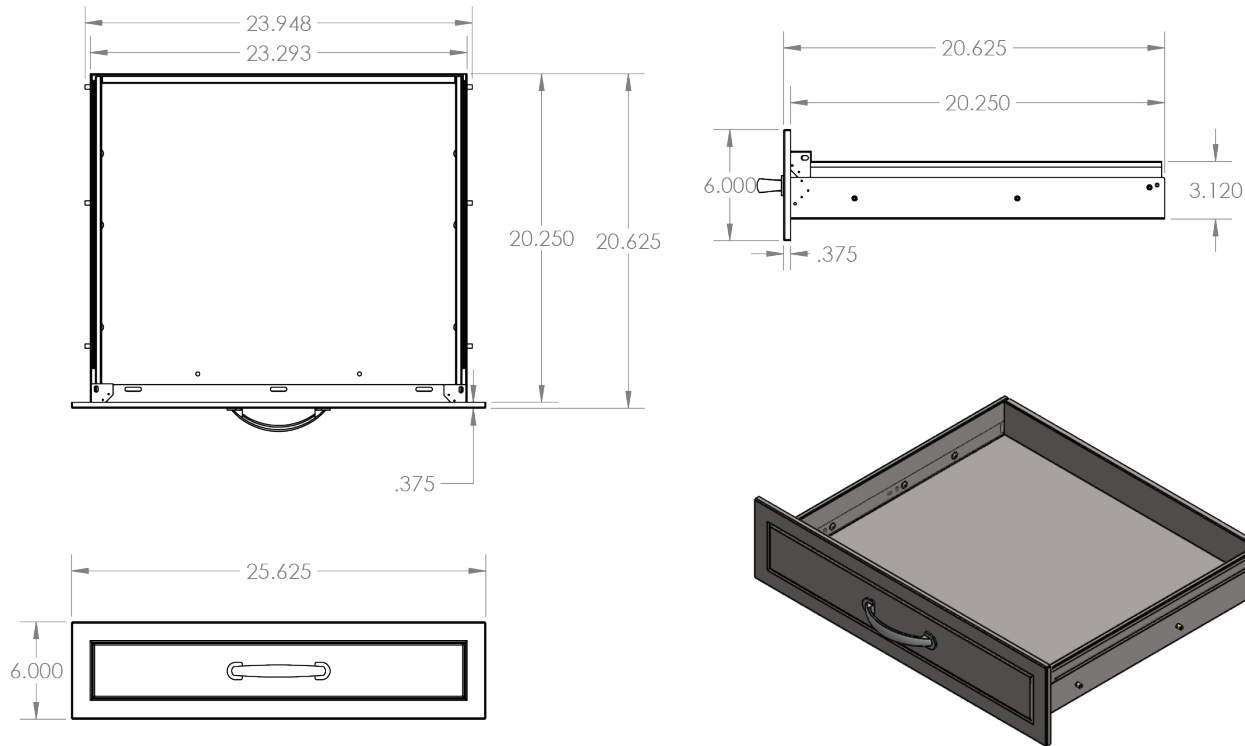
TrueFlame 26" Utensil Drawer

SKU: TF-DR1-26U

**Recommended Cut-Out:**  
24<sup>1</sup>/<sub>4</sub>" W x 3<sup>1</sup>/<sub>2</sub>" H x 20<sup>1</sup>/<sub>2</sub>" D

NOTES

---



**DISCLAIMER**

We recommend adding a 1/4" (.25) to the inner dimension to ensure the unit fits properly in the build out.