

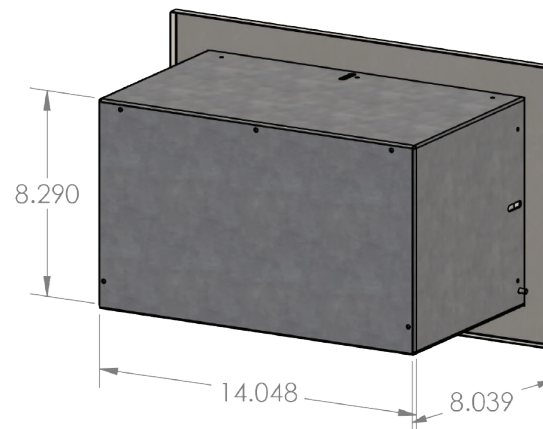
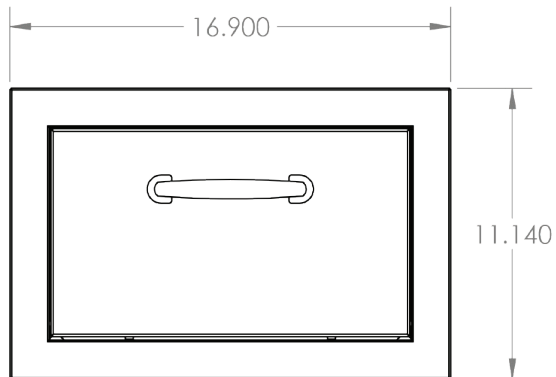
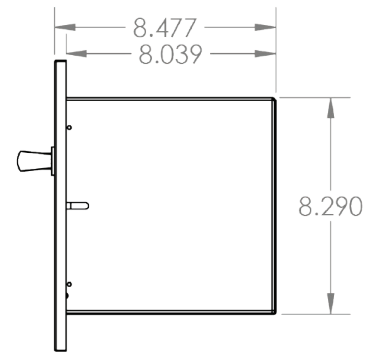
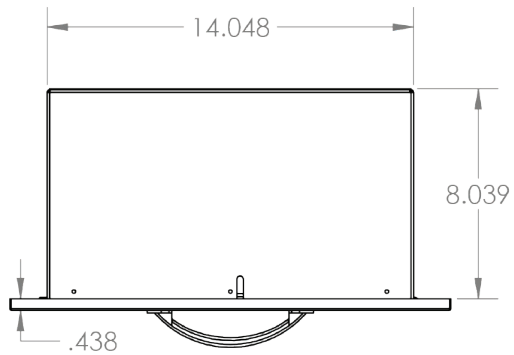
TrueFlame 17" Paper Towel Holder

SKU: TF-TH-17

Recommended Cut-Out:  
14<sup>3</sup>/<sub>8</sub>" W x 8<sup>5</sup>/<sub>8</sub>" H x 8<sup>1</sup>/<sub>2</sub>" D

NOTES

---



DISCLAIMER

We recommend adding a 1/4" (.25) to the inner dimension to ensure the unit fits properly in the build out.