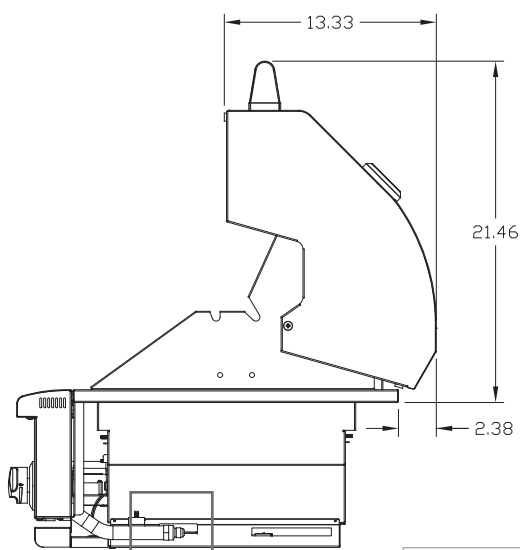
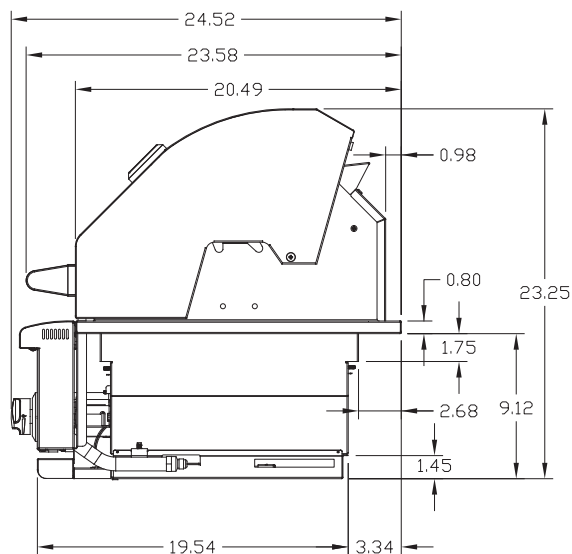
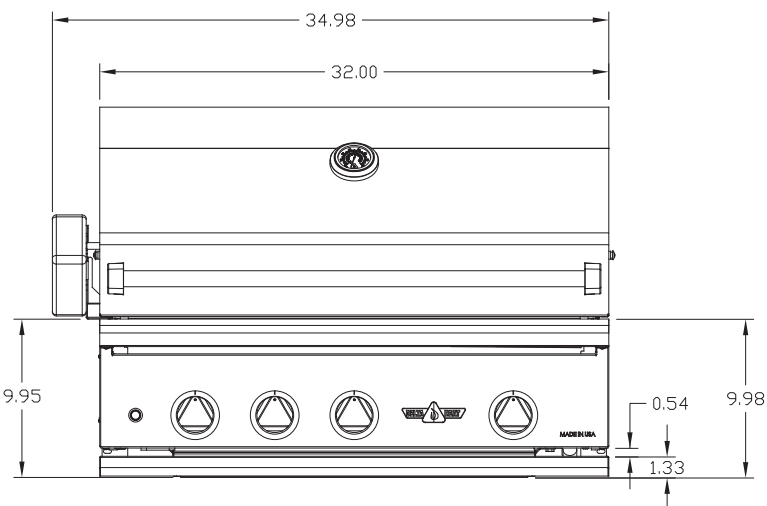


DELTA HEAT 32

32 inch outdoor gas grill

Note: For detailed installation guide, refer to product manual



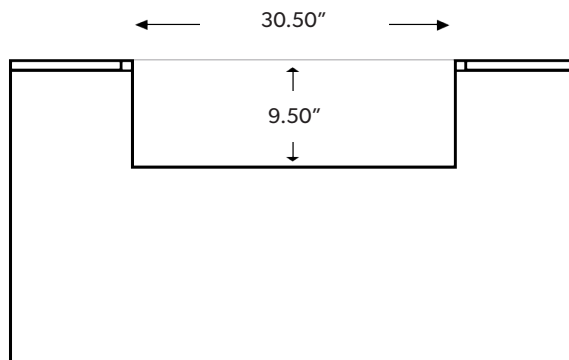
Gas Inlet

Box Dimensions
33 x 37 x 33 (inches)
Shipping Weight 175 lbs

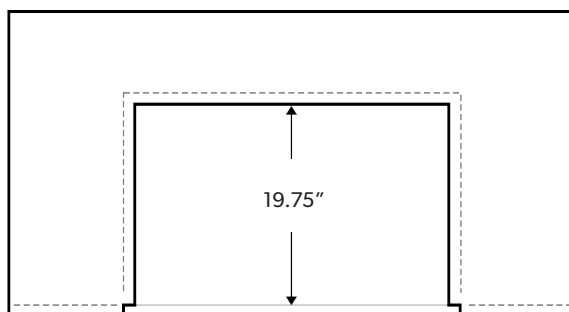
Specifications

GENERAL	Model DELTA HEAT 32 SKU DHBQ32G-D, DHBQ32R-D, DHBQ32RS-D
POWER REQUIREMENTS	Electrical Supply 120V, 60Hz, 4A Electrical Service 15 amp dedicated circuit Power Cord Length 5 feet Receptacle 3 prong grounding plug
GAS REQUIREMENTS	Natural Gas or Liquid Propane Gas Supply 3/4" ID line Gas Inlet 1/2" NPT female Total BTU 46,500-59,500
CLEARANCE REQUIREMENTS	Combustible Requires Insulating Jacket and Minimum 12" all around Non-Combustible Minimum 3" from back, Minimum 6" on sides
CUTOUT DIMENSIONS	Opening Width 30.50 inch Opening Height 9.50 inch Opening Depth 19.75 inch

NON-COMBUSTIBLE INSTALLATION



Face View



Top View