

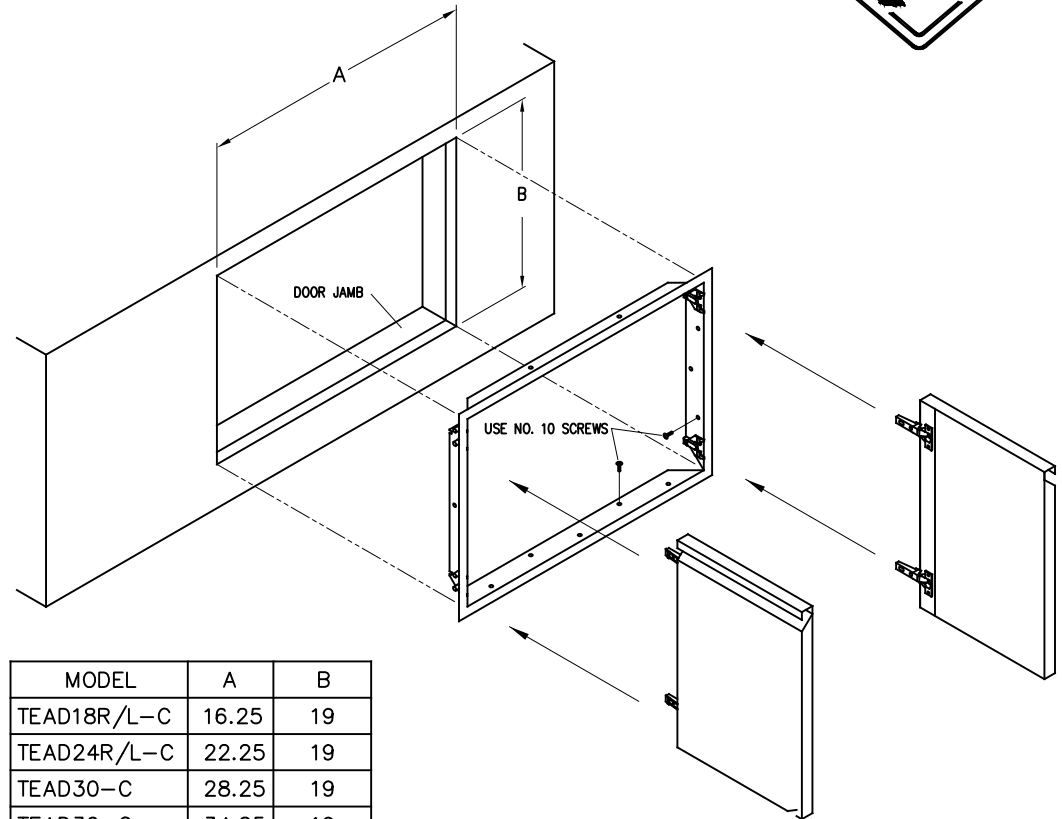
# TWIN EAGLES ACCESS DOORS



MODELS: TEAD18R/L-C      TEAD24R/L-C  
 TEAD30-C                  TEAD36-C  
 TEAD42-C

## INSTALLATION INSTRUCTIONS

1. PROVIDE CUT OUT AND DOOR JAMB WITH INSIDE DIMENSIONS AS FOLLOWS:
  - 16 1/4 X 19      FOR TEAD18R/L-C
  - 22 1/4 X 19      FOR TEAD24R/L-C
  - 28 1/4 X 19      FOR TEAD30-C
  - 34 1/4 X 19      FOR TEAD36-C
  - 40 1/4 X 19      FOR TEAD42-C
2. CHECK FITTING OF FRAME AGAINST CUTOUT.
3. SECURE THE STEEL FRAME USING NO. 10 SCREWS
4. ATTACH DOORS TO FRAME (SEE FIG. 1).
5. ADJUST DOOR AS FOLLOWS:
  - A) FOR HEIGHT ADJUSTMENT, LOOSEN THE TWO SCREWS ATTACHED TO EACH MOUNTING PLATE. ADJUST DOOR AND RETIGHTEN SCREWS (SEE FIGURE A).
  - B) SNAP OFF HINGE AND SECURE MOUNTING PLATE WITH #6 X 1 FLAT PHILLIPS S/S
  - C) FOR SIDE ADJUSTMENT, TURN FRONT SCREW ON DOOR HINGE TO MOVE DOOR SIDWAYS (SEE FIGURE C).
  - D) FOR DEPTH ADJUSTMENT, TURN REAR SCREW ON DOOR HINGE TO MOVE DOOR BACK AND FORTH (SEE FIGURE D)



MODEL	A	B
TEAD18R/L-C	16.25	19
TEAD24R/L-C	22.25	19
TEAD30-C	28.25	19
TEAD36-C	34.25	19
TEAD42-C	40.25	19

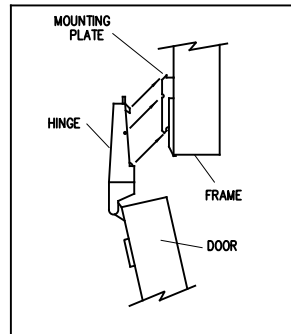


FIG 1

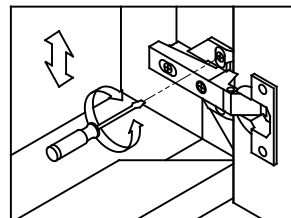


FIG A  
HEIGHT ADJUSTMENT

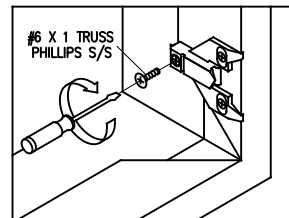


FIG B  
SECURE MOUNTING PLATE

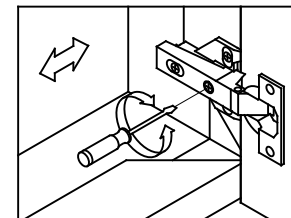


FIG C  
SIDE ADJUSTMENT

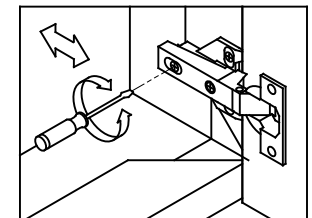


FIG D  
DEPTH ADJUSTMENT

**AVERTISSEMENT**  
 WARNING POUR LES RESIDENTS DE LA CALIFORNIE  
 Cancer et Troubles de l'appariel reproducteur-  
[www.P65Warnings.ca.gov](http://www.P65Warnings.ca.gov)

**WARNING**  
 WARNING FOR CALIFORNIA RESIDENTS  
 Cancer and Reproductive Harm -  
[www.P65Warnings.ca.gov](http://www.P65Warnings.ca.gov)